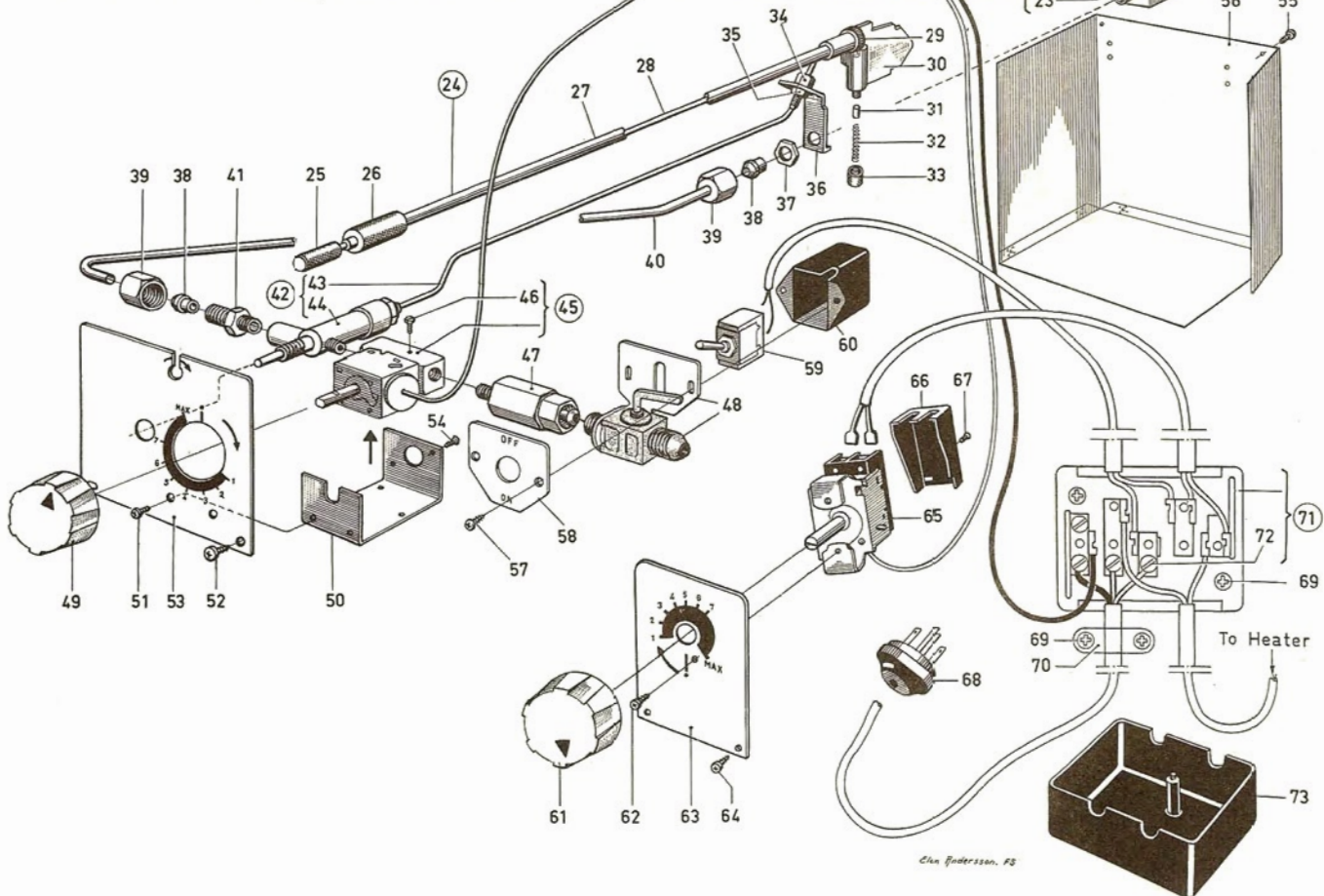
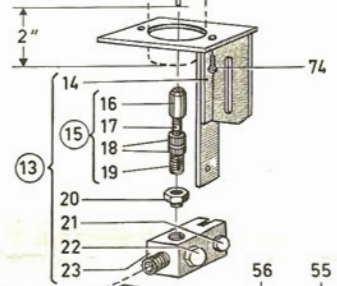
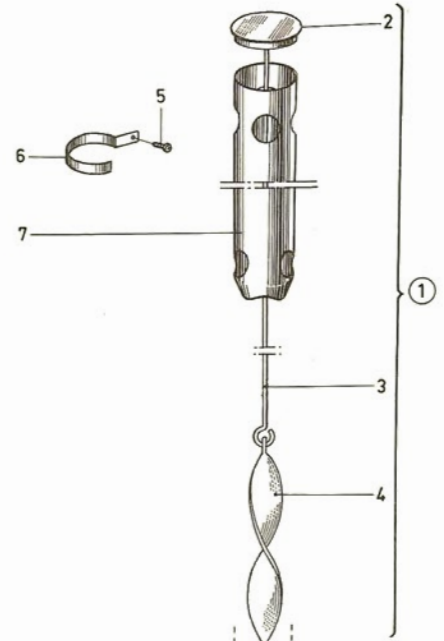
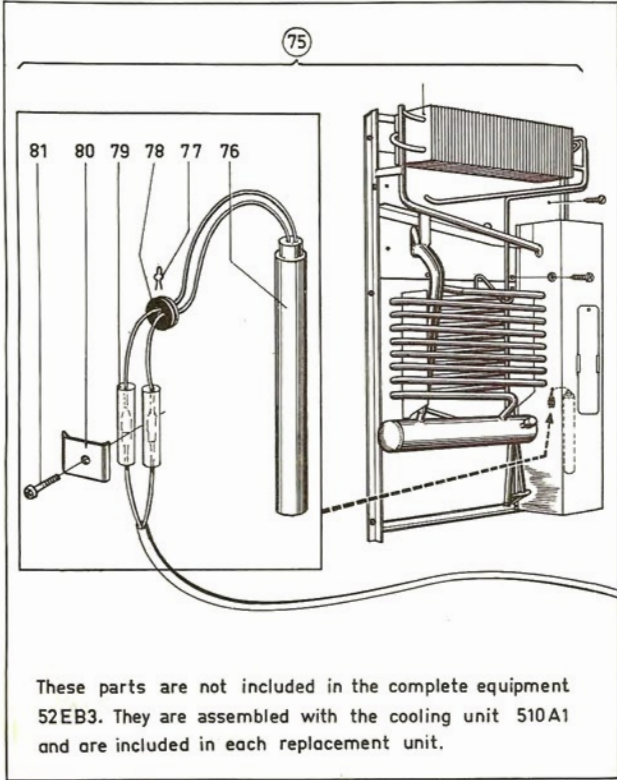


It. No.	Part No.	Description	It. No.	Part No.	Description
	17 27 84	<u>Electric/Gas equipment 52EB3</u>	41	16 93 83	. Nipple
1	17 29 76	. Baffle, complete	42	17 07 91	. Safety valve, complete
2	17 29 74	.. Flue top	43	16 93 72	.. Thermo-couple element TE12D3Z, 450 mm
3	17 29 75	.. Support wire for baffle	44	17 07 55	.. Safety valve STG 1/6 S4
4	15 43 39	.. Baffle	45	17 27 92	. Gas thermostat, type Ranco V35 with by-pass screw
5	729 52 75-01	. Screw, RXS B6x6	46	17 28 19-01	.. By-pass screw
6	16 36 97	. Flue support	47	17 28 10	. Filter with nipple and nut
7	17 20 73	. Flue	48	17 31 00	. Gas valve, complete
8	724 12 95-01	. Screw, RX 4x6	49	17 26 91	. Operating knob
9	15 02 45	. Plug	50	17 27 93-02	. Angle bracket
10	29 13 90	. Cable clip	51	729 52 75-01	. Screw, RXS B6x6
11	729 52 79-01	. Screw, RXS B6x10	52	729 53 36-01	. Screw, RXS B8x6
12	27 10 20	. Cable clip	53	17 27 94-02	. Holder with dial
13	17 07 72	. Burner, complete, with jet No. 62, for propane (standard)	54	724 12 20-01	. Screw, RX 3x6
	17 07 71	. Burner, complete, with jet No. 57, for butane	55	729 52 75-01	. Screw, RXS B6x6
14	17 26 41	.. Burner holder	56	16 76 96	. Cover for gas burner
15	17 07 63	.. Burner barrel, complete	57	729 52 77-01	. Screw, RXS B6x8
16	17 10 30	... Burner cover with gauze insert	58	17 16 27-01	. Plate
17	17 07 62	... Sign "LP-gas"	59	17 21 68	. Switch
18	16 93 84	... Adjusting ring	60	17 31 01	. Protection cover
19	17 07 60	... Burner barrel	61	17 26 91	. Operating knob
20	16 93 54	.. Burner jet No. 62 for propane (standard)	62	14 93 91-01	. Screw, RX No. 6 Bx3/16"
	16 93 53	.. Burner jet No. 57 for butane	63	200 09 45	. Holder for electric thermostat
21	14 90 08	.. Screw special	64	729 53 36-01	. Screw
22	16 93 80	.. Plug screw	65	17 28 21-01	. Electric thermostat Ranco A52
23	17 26 42	.. Burner base	66	17 28 22	. Contact cover
24	17 07 86	. Spark lighter, complete	67	729 52 21-01	. Screw, RXS B4x6
25	17 07 85	.. Turning knob	68	17 10 34	. Electric plug
26	27 01 31	.. Lock cover	69	729 52 83-01	. Screw, RXS B6x16
27	17 07 82	.. Guide tube for shaft	70	17 08 04	. Cable clip
28	17 07 83	.. Shaft	71	58 15 57-70	. Terminal board, complete
29	27 01 30	.. Knurled wheel	72	723 22 50-10	.. Screw, KCS 5.3x5
30	27 05 17	.. Support for spark lighter	73	58 15 65-71	.. Cover with screw
31	27 01 27	.. Flint	74	14 90 29	. Screw FX 1/4"x1/2"
32	27 01 37	.. Pressure spring			
33	17 07 81	.. Spring holder	75	928 51 01	Cooling unit, type S10A1, 110 V, complete
34	17 08 27	. Spacer nut, M8x1	76	17 06 79-01	. Heater, type 511, 110 V
35	16 93 86	. Nut, M8x1	77	17 06 92	. Lock spring
36	17 07 56	. Holder for thermo-couple element	78	17 06 91	. Bushing
37	17 07 73	. Nut, M13x1	79	17 31 81	. Connecting sleeve
38	16 93 81	. Sealing ring	80	17 31 82	. Clamp
39	16 93 82	. Connection nut	81	729 52 85-01	. Screw, RXS B6x19
40	17 07 79	. Gas inlet pipe for burner			



It. No.	Part No.	Description	It. No.	Part No.	Description
1	17 24 60-	Door, complete (Please specify the color when ordering)	35	17 26 99	... Gasket
2	16 84 75	. Door gasket	36	200 02 08	Shelf, middle
3	16 90 09	. Door pan	37	16 84 80	Drip tray
4	16 69 46	. Door for butter compartment, complete	38	16 90 67	Shelf, upper
5	16 69 45	.. Door	39	16 90 33	. Trimming strip
6	16 38 53	.. Spring	40	16 84 62	Front plate
7	16 38 54	.. Hinge pin	41	16 83 87	Lining
8	29 12 85	. Door compartment, upper	42	16 90 66	Shelf, lower
9	17 12 07	. Reinforcing strip, vertical	43	729 52 77-51	Screw, LKXS B6x8
10	16 89 29	. Bottle support	44	729 53 40-01	Screw, RXS B8x10
11	16 89 40	. Outer fastening strip	45	17 29 72	Hinge plate, lower
12	16 89 39	. Inner fastening strip	46	16 84 66	Cabinet support bar, left-hand
13	16 13 81	. Screw, spec. B6x10	47	729 53 40-01	Screw, RXS B8x10
14	16 58 07	. Door compartment, lower	48	15 26 88	Catch spring
15	16 13 80	. Screw, spec. B6x10, stainless	49	16 84 65	Cabinet support bar, right-hand
16	17 12 05	. Reinforcing strip, horizontal	50	17 01 45	Friction washer
17	200 05 76	. Nameplate	51	17 07 96	Bearing bush
18	729 72 23-03	. Screw, KFXS B4x8 fn.	52	734 11 53-01	Washer, BRB 6.4x12
19	17 24 57	. Outer frame for door, upper part	53	735 11 60-01	Washer, FBB 7.1
20	729 52 77-51	. Screw, LKXS B6x8	54	200 05 44	Hinge bolt
21	200 21 02-	. Door panel (Please specify the color when ordering)	55	724 13 27-01	Screw, RX 5x12
22	17 24 19	. Outer frame for door, lower part	56	17 24 55	Shutter, complete
23	16 81 17	Locking pin with chain	57	17 24 54	. Shutter, only
24	17 28 37	Hinge plate, upper, left-hand	58	729 52 75-01	. Screw, RXS B6x6
25	27 43 63	Expansion rivet	59	17 10 20	. Handle
26	17 27 10-01	Freezer compartment, complete	60	17 16 96	. Instruction plate for gas equipment
27	200 28 05	. Front with shutter, complete	61	17 10 39	. Instruction plate for installation
28	729 52 79-40	.. Screw, RXS B6x10, stainless	62	17 32 23	. Wiring diagram
29	200 28 03	.. Hinge flange	63	17 20 98	Trim strip
30	200 28 02	.. Front	64	17 28 36	Hinge plate, upper, right-hand
31	200 28 04	.. Torsion spring	65	16 96 43	Spirit level
32	17 27 01	.. Insulation	66	27 28 59	Ice tray, complete
33	200 28 00	.. Outer part of shutter	67	15 73 03	. Ice divider
34	17 27 00	.. Inner part of shutter	68	27 30 62	. Ice tray

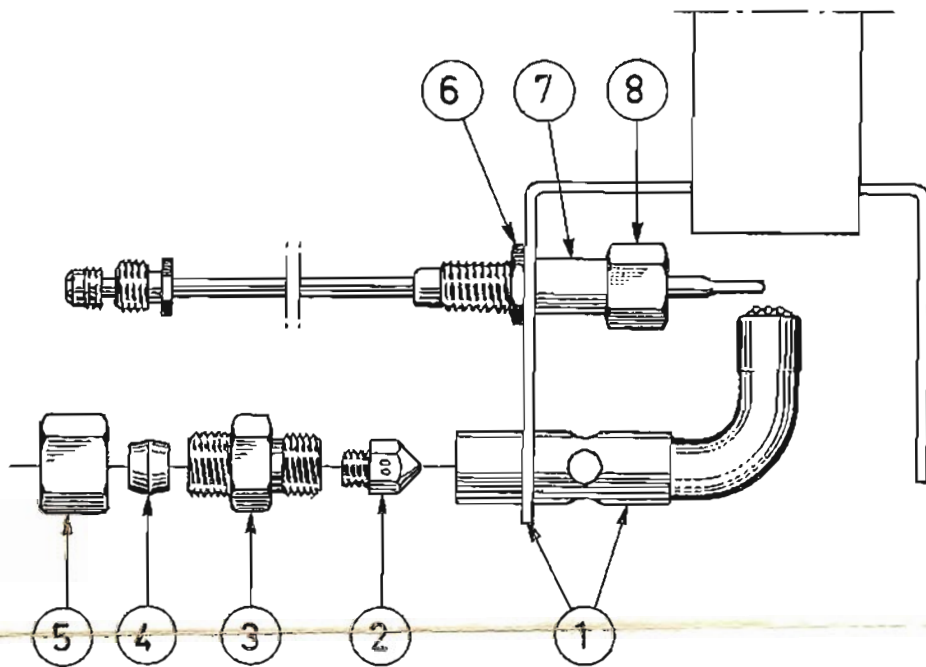
When ordering spare parts always state:

MODEL · QUANTITY · PART NUMBER · DESCRIPTION · VOLTAGE

SPARE PARTS LIST

DOMETIC

The gas burner in this refrigerator is of a new and improved design. The new part numbers are listed below. For all other parts in the gas equipment and cabinet, see complete spares list.



Item No.	Part no.	Description	Item No.	Part no.	Description
1	17 32 21-00/3	Burner compl.	5	17 32 15-00/5	Union nut
2	—	Burner jet, see table	6	16 93 36-00/0	Lock nut
3	17 32 22-00/1	Connection piece	7	—	Spacer sleeve, see table
4	17 32 13-00/0	Olive	3	17 08 27-00/0	Lock nut

Model	Equipment Type	Equipment Part No.	Burner jet for Propane operation (standard equipment)	Burner jet for Butane operation	Spacer sleeve
M28	26E33	17 33 55-00/9	17 33 45-02/6 (size 23)	17 33 45-00/0 (size 26)	17 33 44-01/1 (12mm)
	28B4	17 33 56-00/7	17 33 45-02/6 (size 23)	17 33 45-00/0 (size 26)	17 33 44-01/1 (12mm)
MA40	40E32	17 33 57-00/5	17 33 45-07/5 (size 38)	17 33 45-06/7 (size 32)	17 33 44-00/3 (10mm)
	40B3	17 33 58-00/3	17 33 45-07/5 (size 33)	17 33 45-06/7 (size 32)	17 33 44-00/3 (10mm)
M352	52E34	17 33 59-00/1	17 33 45-11/7 (size 52)	17 33 45-09/1 (size 43)	17 33 44-00/3 (10mm)
M170	70E33	17 33 60-00/9	17 33 45-12/5 (size 53)	17 33 45-10/9 (size 51)	17 33 44-00/3 (10mm)

For all other parts, see the complete parts list for the respective models.