

Traveler[®] 904 AND 905

Lifetime Mirror China Compact Water Closets

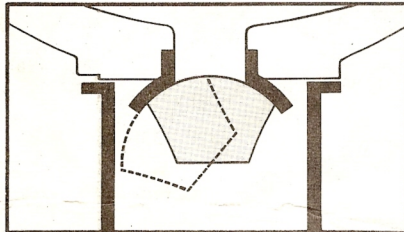
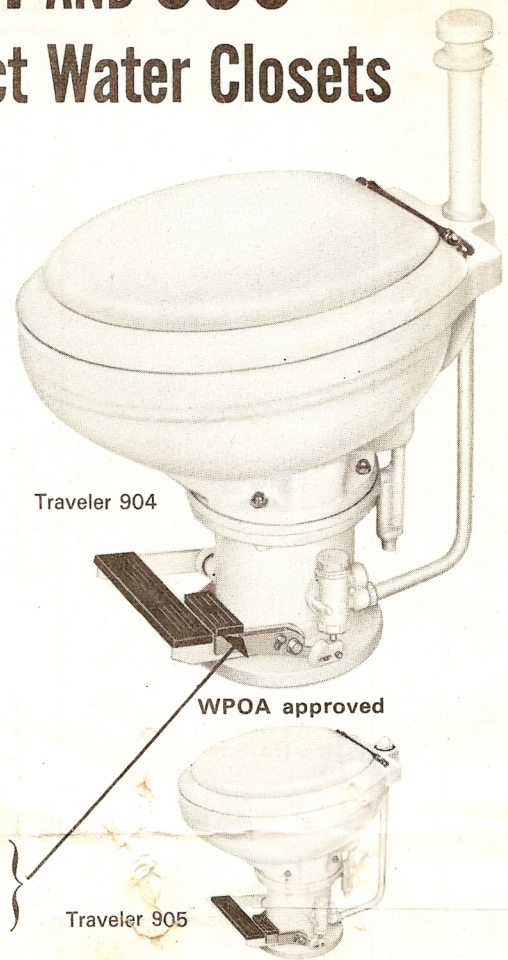
Foot-Controlled Water Level Valve • Water-Saving Pedal Operated • Efficient Swirl Flushing • Easy to Install

Modern, compact Travelers are perfect for mobile homes, cottages, camps, attics, basements . . . every type of space saving installation. Attractive, as well as practical, they offer many of the advantages of the finest home fixtures.

Compare these important Traveler[®] features:

- High-fired lifetime mirror china is scratchproof, fadeproof, stainproof . . . easy to clean and keep clean.
- Save water. Flush on 2 quarts or less.
- Compact. Only 14 $\frac{3}{4}$ " high and 14 $\frac{1}{4}$ " wide.
- Efficient swirl flushing action assures cleaner, more sanitary bowl.
- Odor-free
- Epoxy-coated base.
- Operate efficiently on high or low water pressure.
- Shipped assembled, ready for installation with floor flange and rubber seal.
- Perfect for new installation or replacement of standard water closets.

Extra sanitary feature is foot-controlled water level valve. This permits addition of more than regular 2" of water to bowl before flushing . . . works independently of large pedal.

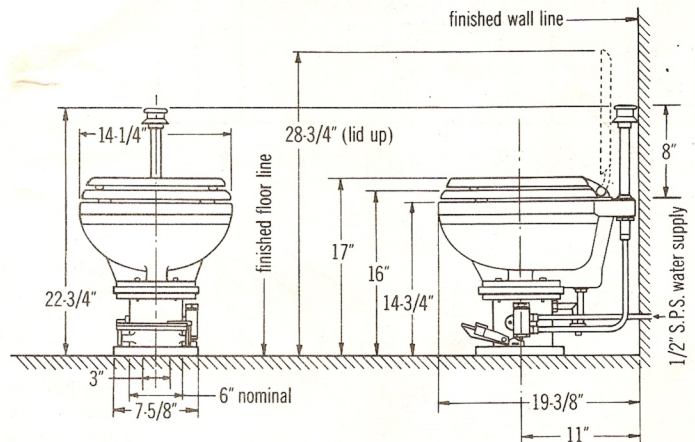


◀ Mansfield[®] leakproof ball seal

Each Traveler is equipped with an exclusive, self covered cleaning "ball". This rolls across the coved rubber seat and forms a positive water seal. There are no metal-to-metal contacts to cause excessive wear or encourage corrosion.

Use these specifications to order Travelers[®]

Order No.	Description	Approx. Weight
904	Traveler pedal-operated mirror china bowl with flushing mechanism, independent foot-operated water control valve, epoxy-coated aluminum base, ball water seal, 3" male floor flange, rubber floor seal, vacuum breaker and bolt package. Seat not included unless specified.	31 lbs.
905	Same, less vacuum breaker.	30 lbs.



NOTE: above are roughing measurements. They may vary 1/4" (plus or minus).



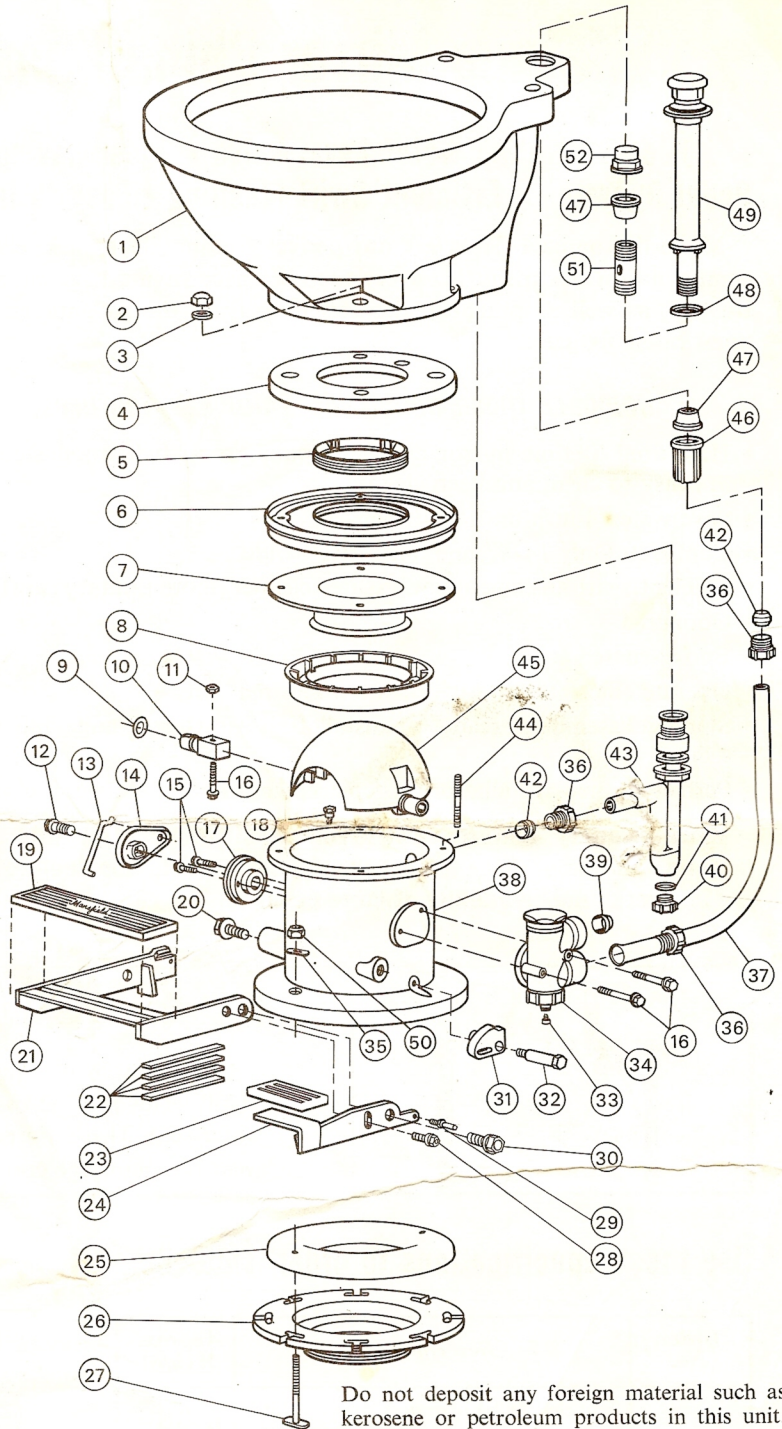
MANSFIELD SANITARY, INC.

PERRYSVILLE, OHIO 44864

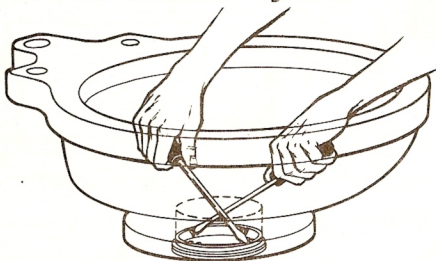
Traveler[®] 904 and 905 Components and Parts List

When ordering, please refer to part number and name.

Item	Part No.	Description	No. Req'd.
1	3545	Bowl	1
2	3593	Acorn Nut	4
3	1994	Washer	4
4	2947	Sponge Seal	1
5	2528	Adjusting Ring	1
6	2637	Plastic Plate	1
7	2554	Rubber Ball Seal	1
8	2542	Spider	1
9	2766	"O" Ring	1
10	2750	Activating Shaft	1
11	2003	Hex. Nut	1
12	2917	Round Hd. Screw	1
13	2930	Link	1
14	2757	Pivoting Arm	1
15	2936	8-32 Pan Hd. Screw	2
16	2935	Hex. Hd. Screw	3
17	2310	Bearing—Open End	1
18	3282	Pin-Spring Support	1
19	2186	Plastic Pedal Cover	1
20	2928	Bolt	1
21	3519	Foot Treadle Assembly	1
22	3245	Spring	4
23	3521	Plastic Cover—Extra Pedal	1
24	3536	Extra Pedal Assembly	1
25	2025	Sponge Gasket	1
26	1927	Male Floor Flange	1
27	941	Bolt Floor Flange	2
28	3523	Cap Screw	1
29	3492	Cam Lever Pin	1
30	3516	Hex. Hd. Screw	1
31	3533	Cam	1
32	3742	Shoulder Bolt	1
33	2774	Plastic Bump Pin	1
34	3758	Manual Valve Assembly	1
35	940	Washer Oval	2
36	2760	Seal Adjustment Nut	3
37	2761	Plastic Tubing	1
38	1706	Aluminum Base	1
39	2853	Tapered Seal-Water Inlet	1
40	2763	Drain Plug	1
41	2764	Drain Plug Gasket	1
42	2759	Plastic Seal Washer	2
43	3700	Trap Assembly	1
44	2786	Stud	4
45	2537	Ball Seal	1
46	2758	Nut	1
47	2768	Rubber Seal	1
48	2656	Top Bowl Rubber Seal (904 only)	1
49	2703	Vacuum Breaker Assembly (904 only)	1
50	3577	Hex. Hd. Castle Nut	2
51	3339	Pipe (905 only)	1
52	2987	Plastic Nut (905 only)	1



Water Seal Adjustment



Do not deposit any foreign material such as kerosene or petroleum products in this unit.

Each Traveler water closet has a visible adjustable ring (part 5) which screws into the plastic plate (part 6). When this ring is turned clockwise, the water seal is tightened. A counter-clockwise turn loosens the seal.

The ring is notched and can be turned easily with a long-handled screw driver or similar tool. Overtightening of the ring will result in a hard-to-operate pedal.

The ball should be lubricated periodically to prevent build-up of water deposits and to keep the pedal moving easily. Any hardware store can supply a good silicone lubricant for this purpose.



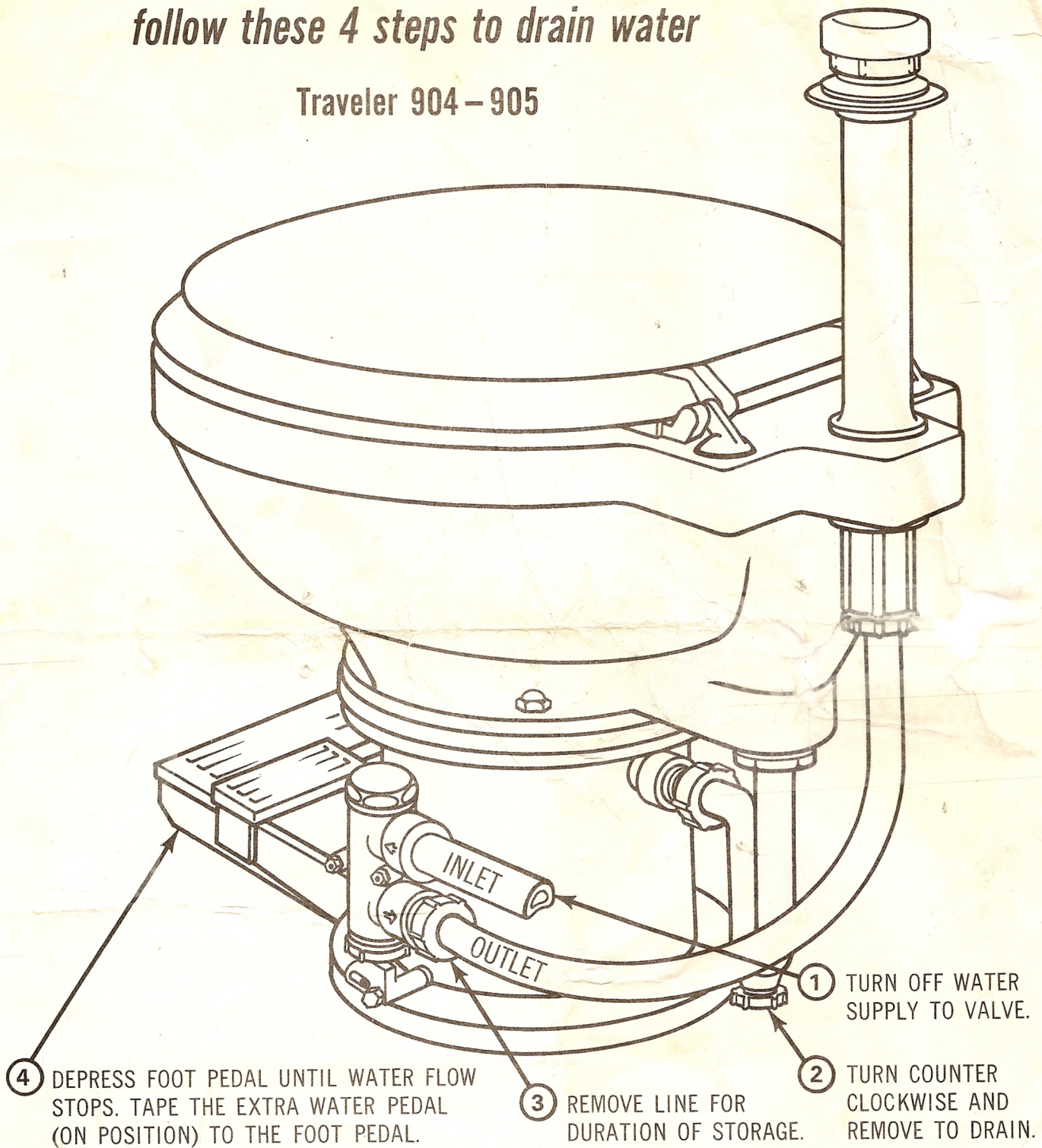
MANSFIELD SANITARY, INC.

PERRYSVILLE, OHIO 44864

How to Winterize Your Traveler Toilet

follow these 4 steps to drain water

Traveler 904 - 905



MANSFIELD SANITARY, INC.

PERRYSVILLE, OHIO 44864