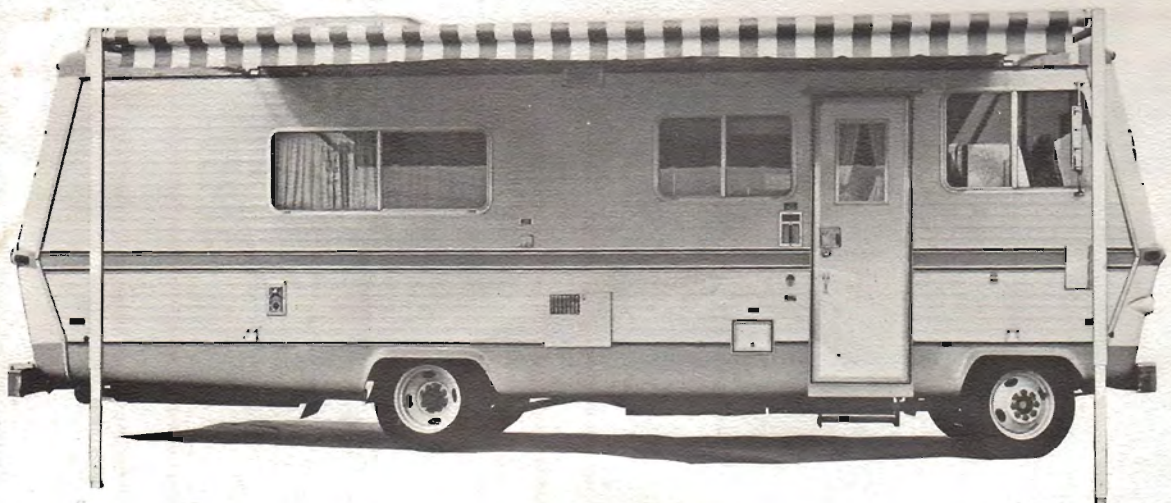


# INSTALLATION MANUAL

**ATLAS**  
CANVAS CO.  
*Since 1946*

## AUTOMATIC ROLL UP AWNINGS



**QUALITY Roll-Up VINYL AWNINGS**

## INSTALLATION & SERVICE DEPT.

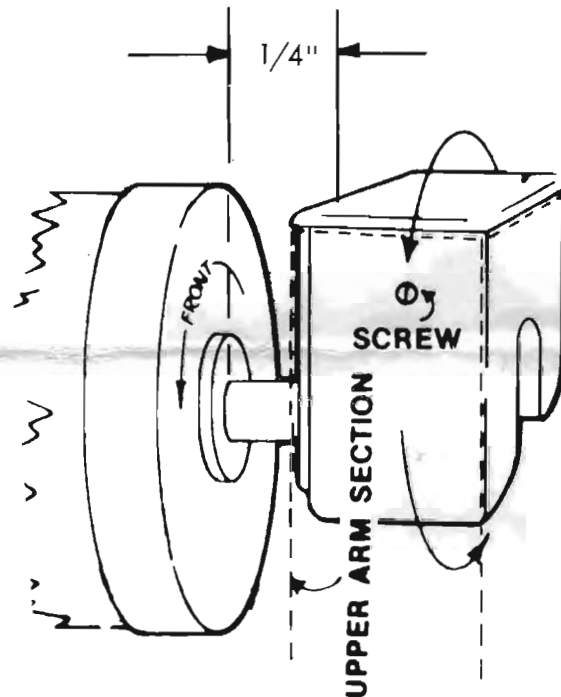
REVISION FROM INSTALLATION MANUAL

END PLAY NO MORE THAN 1/4"

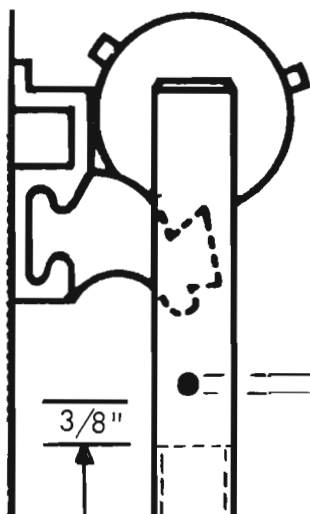
### ON SPRING TENSION

- On 8' to 10' wind 3-6 turns
- On 11' to 13' wind 4-8 turns
- On 14', 15' & 16' wind 5-10 turns
- On 17' to 21' wind 6-12 turns

**OR TO FEEL**



SURE-LOCK



DRILL HOLE 1/4"

3/8"

3/8" ABOVE NO. 3 CHANNEL

STORE CARPORT KIT PIN & LOCK

IN 1/4" HOLE

# ① INSTALLATION INSTRUCTIONS

## For TRAILERS AND MOTOR HOMES WITH STRAIGHT SIDES

INSTALLATION TIME:

1

Decide where arms will fit and not interfere with lights, vents, mirrors, etc. Must be in even feet between center of brackets and should extend over the doorway. Cover any sharp projections with padding (rags or paper) and masking tape to avoid scratching holes in awning when threading into awning rail channel. Straighten and smooth awning rail. Use a screwdriver to spread one end slightly to allow easy insertion. Silicone spray will make insertion easier.

Available straight arms:

#1-75 to fit most straight side trailers measuring 80" or more between floor and ceiling.

#2-75 to fit small pick-up campers measuring between 56" and 68". (Accepts only short projection canopy.)

#3-75 to fit Executive Motor Homes. Also fits pick-up campers 68" to 80".



DISTANCE BETWEEN BOTTOM BRACKETS MUST BE THE SAME AS BETWEEN THE TOP BRACKETS, WITHIN 1/2"

2

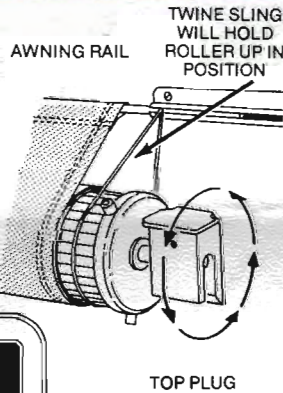
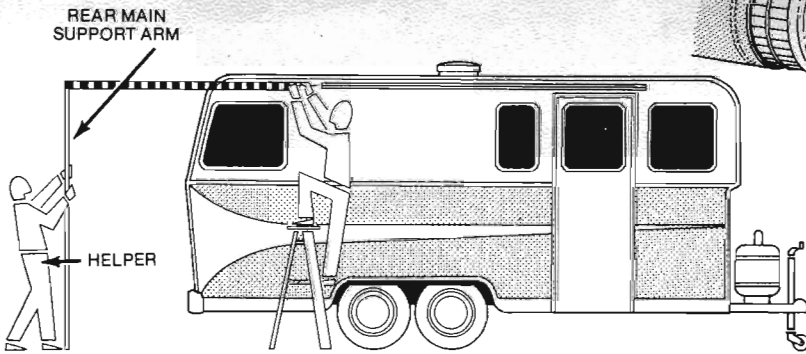
To avoid awning discs or as shown at corners

OUTER DOOR



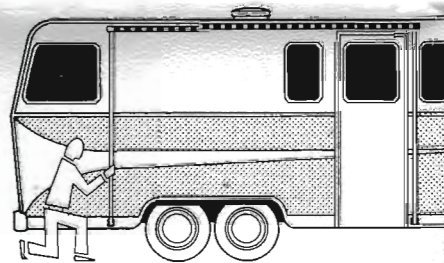
5

Slide awning into awning rail. You will need a helper for this operation. (See sketch). He can hold the back end of the awning in position while standing on the ground, by connecting the back end of the awning temporarily to the back arm and then "walk" it forward while you thread the leading edge.



6

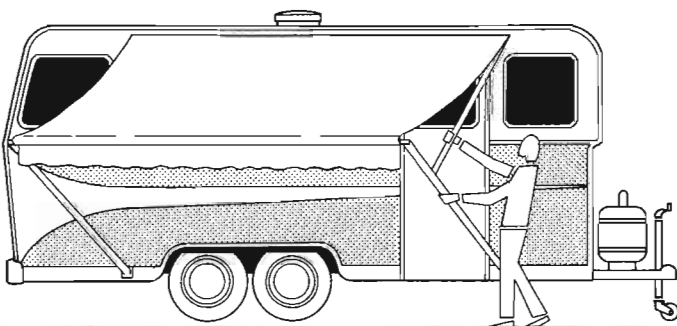
Position the other arm and mount #3 and 4. Arms must be parallel to other and to window or door. Dumb plumb line.



DISTANCE BETWEEN BOTTOM BRACKETS MUST BE THE SAME AS BETWEEN THE TOP BRACKETS, WITHIN 1/2"

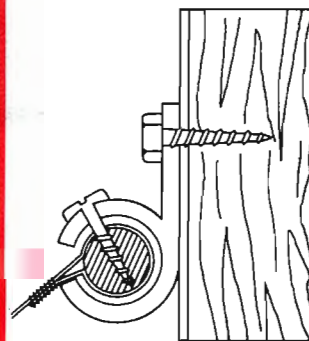
9

Extend awning several times to be sure that it rolls smoothly. It may be necessary to slide the canopy slightly toward one end.



10

To prevent awning from moving on rail, put small screws through ends of awning "rope" and into rail to keep plastic "rope" from slipping. Also every 3" through top of rail, fabric and "rope". Cut off twine sling.



11

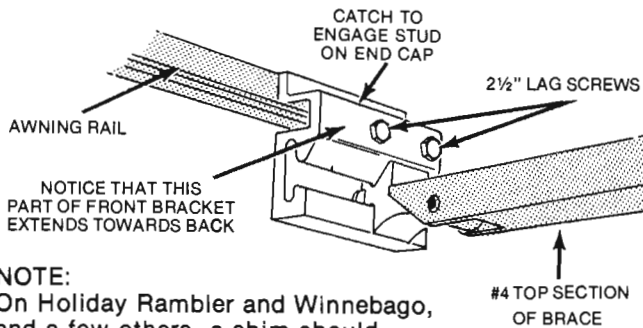
Setting anti-bill... After the awning is extended several times, properly position the top bracket... edge of top bracket

# 2 Hours

## TOOLS YOU WILL NEED

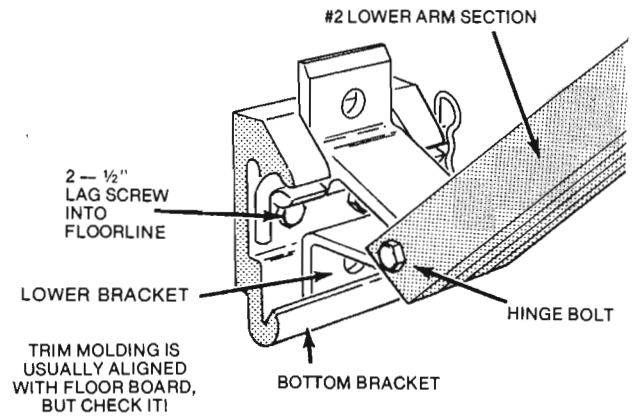
- 1/4" Electric Drill
- 3/8" Drive Speed Handle
- 1/4" Drive Socket Ratchet Handle
- 1/4" to 3/8" Socket Adapter
- 3/8" to 3/8" Drive Socket
- 7/16" to 3/8" Drive Socket
- Screwdriver
- No. 10 Drill Bit
- 3/32" Drill Bit
- Extension Cord
- 2 Ladders

**3** Mount top bracket of front arm over awning rail, with 2 1/2" lag screws through rail. The bracket must not angle inwards or a poor lock will result.

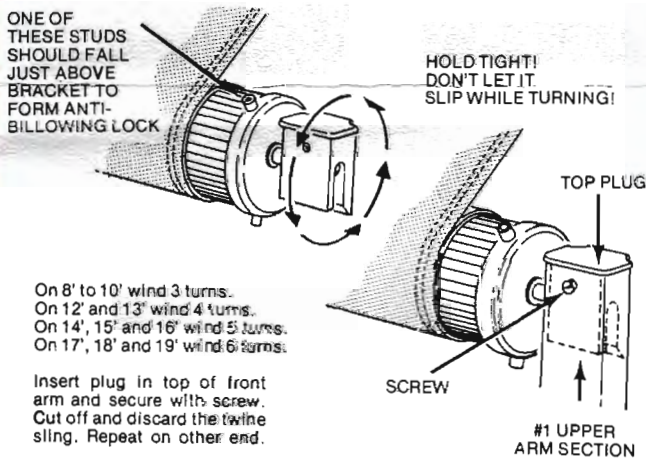


**NOTE:**  
On Holiday Rambler and Winnebago, and a few others, a shim should be inserted here to hold bracket perpendicular to insure proper locking. On the Franklin, cut 3/8" off bottom of top lip. This can also be done for Holiday Rambler and Winnebago, if you don't have a shim.

**4** Align the arm vertically with a window or door and mount bottom bracket into floor board with 2 1/2" lag screws. If trim molding causes the bracket to rock, install a small shim to prevent this rocking, or notch out a portion of the molding.



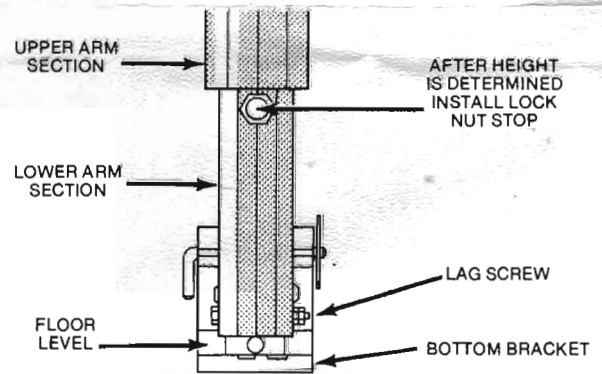
**7** While arms are retracted, with the awning rolled up, turn end plugs in direction of arrow to wind springs correct number of turns.



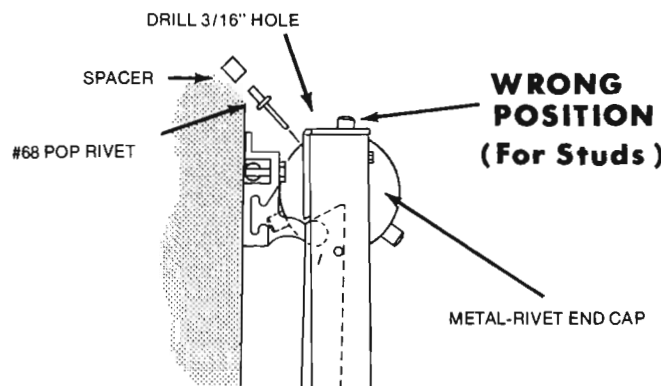
On 8' to 10' wind 3 turns.  
On 12' and 13' wind 4 turns.  
On 14', 15' and 16' wind 5 turns.  
On 17', 18' and 19' wind 6 turns.

Insert plug in top of front arm and secure with screw. Cut off and discard the twine sling. Repeat on other end.

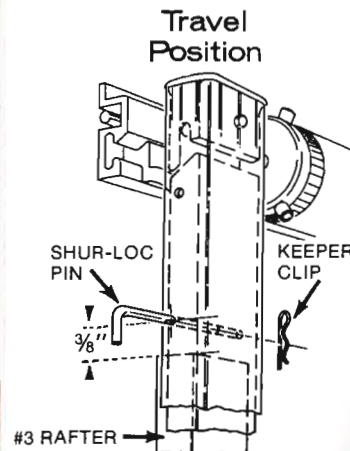
**8** To prevent the arm from jamming in case the top section of the arm should drop down and "hit bottom", it is necessary to install "stops" just under the top section of each arm (while they are in traveling position). This will hold the arms in position better on extra large vehicles, and make operation more convenient.



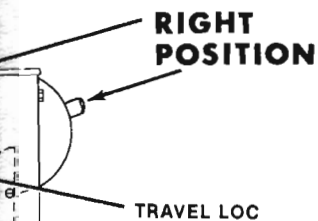
**12** On metal-riev end caps timing is done by drilling out the improperly positioned stud, and installing a new stud at the proper position. Use a #10 (3/16") bit, and a steel #68 rivet with spacer for this operation.



**13** To install Shur-Loc pin: Drill 1/4" hole 3/8" above #3 rafter. Store car port kit pin and lock in 1/4" hole.

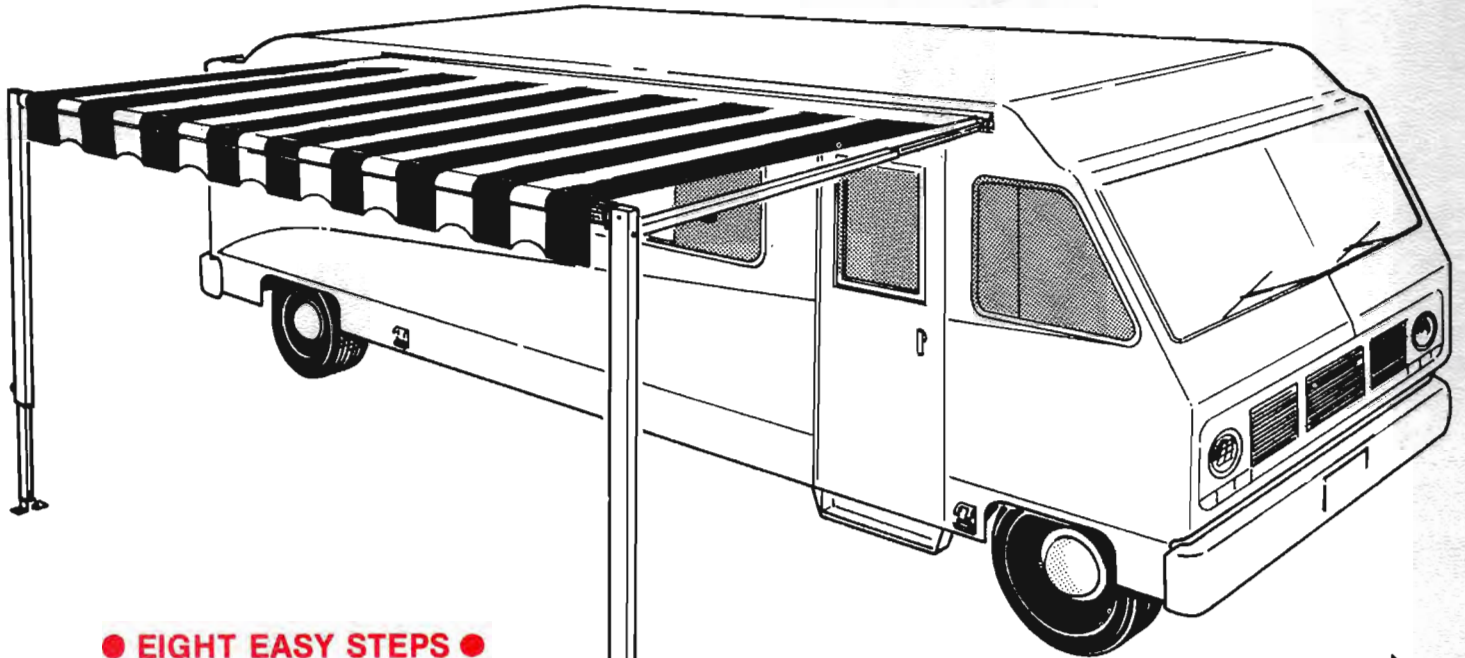


been installed and operated at the anti-bilow locks are stud should actually touch the stud must be 1/2"-1" from



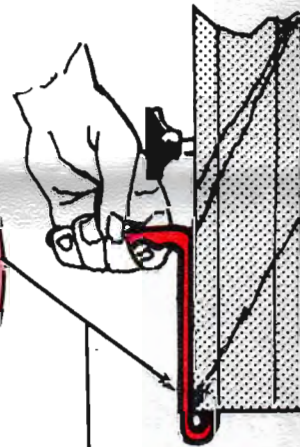
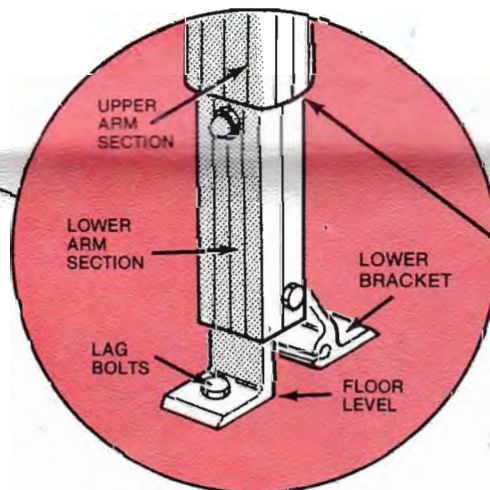
# ② INSTALLATION INSTRUCTIONS

# For CARPORT ATTACHMENT TO MOBILE OR EXPANDABLE HOMES

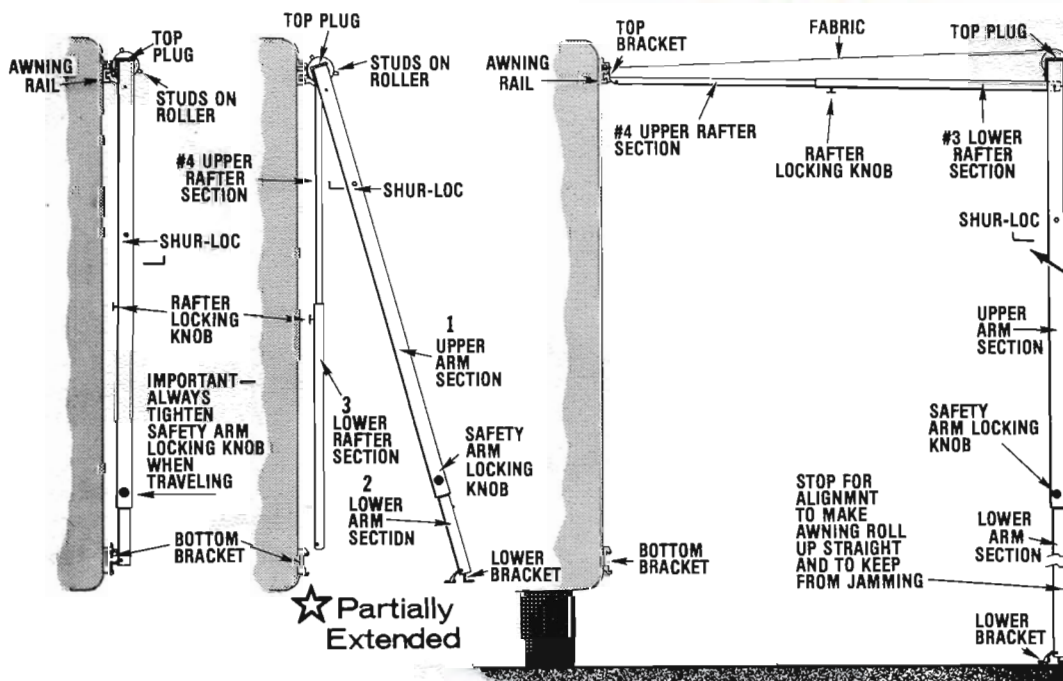


## ● EIGHT EASY STEPS ●

1. Remove Shur-loc pins on both sides!
2. Loosen all knobs.
3. Take back arm off first. Then the front arm off the Travel-locks.
4. Extend or pull awning down.
5. Raise lower rafter section to upper arm section on each side.
6. Insert Shur-loc pins on both sides into upper arm section through lower rafter section.
7. Adjust arms to desired height.
8. Pull pin on bottom bracket and swing out.



**LIFTING HANDLE**  
Pistol-grip for easy lift from awning lock.



Pin eliminates any need for travel straps.

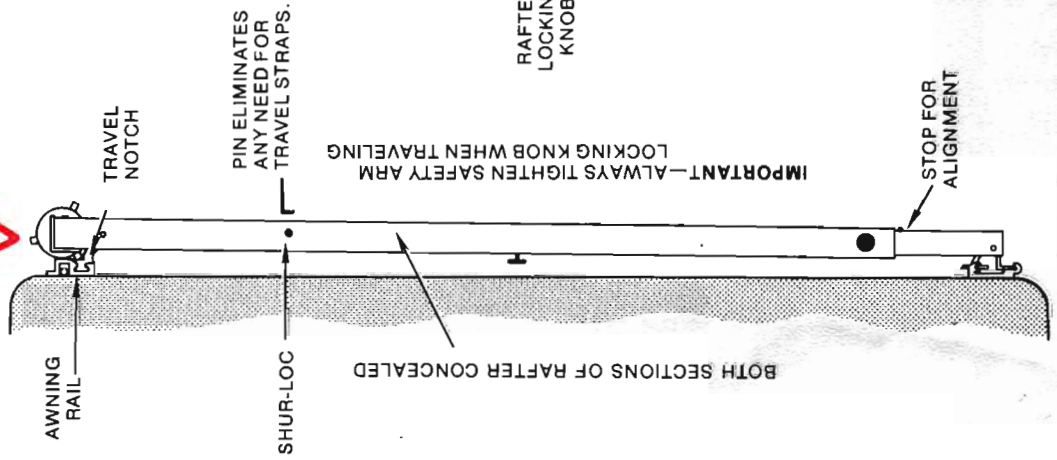
★ Fully Extended

★ Travel Position

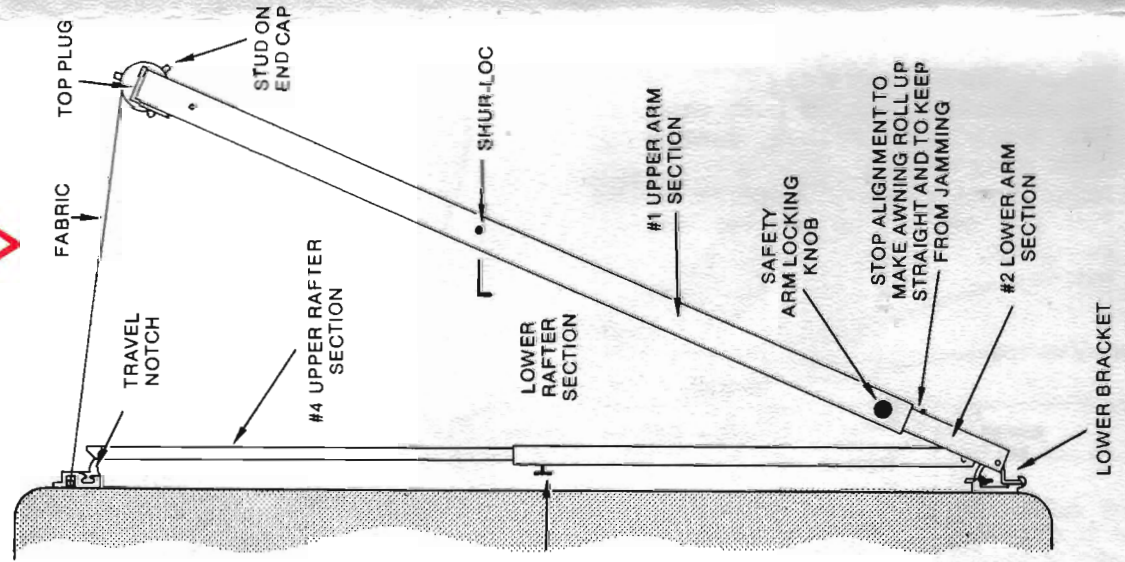
★ Partially Extended

# Operational Sequence Diagrams

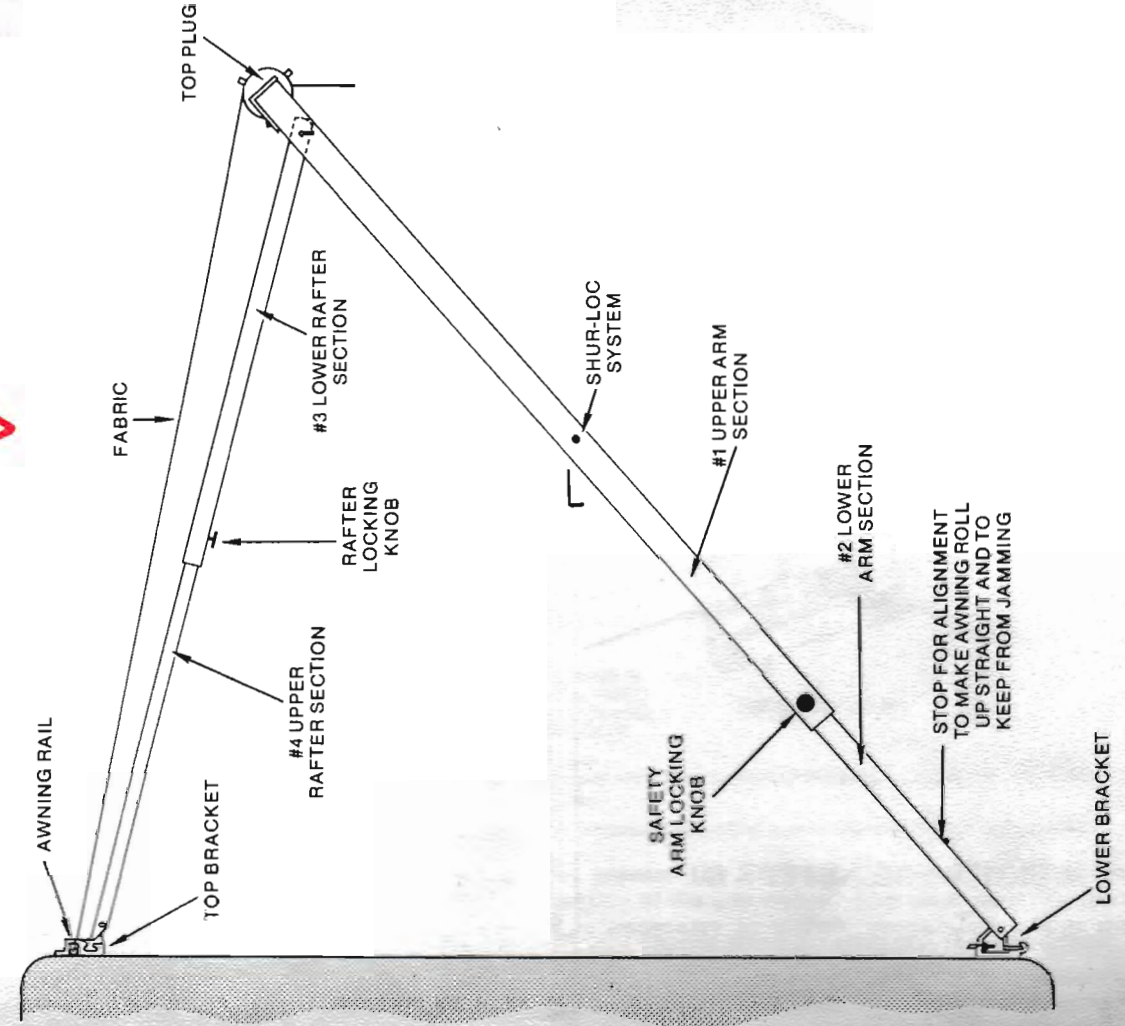
## ● Travel Position



## ● Half-Way Extended



## ● Fully Extended



# OPERATING & MAINTENANCE INSTRUCTIONS



## SUNGARD

### TO EXTEND AWNING

- Loosen arm lock (a thumb screw) near bottom of each arm.
- With one person at each arm, lift arms out of travel notches (which are in top brackets)
- Unroll awning fully and place and tighten "pendulum" braces under tops of plugs of outstretched arms.
- Now slide both arms up together to raise front of awning high enough to clear opened door. Tighten arm lock (thumb screw).
- If brace lock is out of reach you may prefer to place brace under "stop" provided in arm.

### TO RETRACT

Reverse Steps D, C, B, A.

- The aluminum parts used are the strongest in the awning industry. They are designed to withstand sun, rain and breezes up to a point. However, in line with all other awning manufacturers and insurance companies we must exclude wind damage and damage caused by water collecting in a pool on the awning. If you have a pool, push up with a broom under the awning.
- To avoid water pooling, lower one end so water runs off one corner.
- Since the awning can be retracted in 15 seconds it should always be retracted at night and when you are absent.
- You will notice less vibration inside the trailer if you retract the awning when a breeze is blowing.
- To avoid mildew forming on dirt, the awning may be washed with detergent or diluted clorox.
- The fabric is the strongest made, and is tear resistant, however, care should be taken not to cut it with the corner of the door or any other sharp projection.

As with all quality products, your Atlas Awning must be properly installed, operated and maintained, therefore, Atlas Canvas Company's LIABILITY UNDER THIS WARRANTY SHALL NOT BE EFFECTIVE OR ACTIONABLE UNLESS the awning is installed, operated and maintained in accordance with the instruction booklet accompanying the awning.

SUNGARD AWNING  
**5 YEAR GUARANTEE**

For a period of five years (60 months), Atlas Corporation guarantees your awning against defective workmanship and material.

- The vinyl fabric is guaranteed against
  - Excessive fading (there is always slight color change due to ultra-violet rays).
  - Mildew (however, mildew will form on the dirt if dirt is not removed).
  - Excessive cracking, peeling, hardening or loss of strength under normal conditions.
- The springs are guaranteed not to break or pull loose (if not over wound).
- Roller and arms are guaranteed not to bend or break (if not subjected to high winds or water pooling).

The company will replace defective parts as shown above at no charge within the first year. From the 13th to the 60th month, the cost of replacement will be pro-rated according to length of service obtained. Any request for replacement must be accompanied by defective part plus sufficient postage for return shipment.

This guarantee protects you against defective workmanship and material. It does not protect against storm damage, accidents, carelessness, or normal wear and tear.

**ATLAS CANVAS CO.**  
910 CANAL, CITY OF INDUSTRY, CALIFORNIA 91746  
(213) 960-2787

### LIMITED WARRANTY REGISTRATION

Name \_\_\_\_\_

Address \_\_\_\_\_

Date of Installation \_\_\_\_\_



910 CANAL, CITY OF INDUSTRY, CALIFORNIA 91746 (213) 960-2787